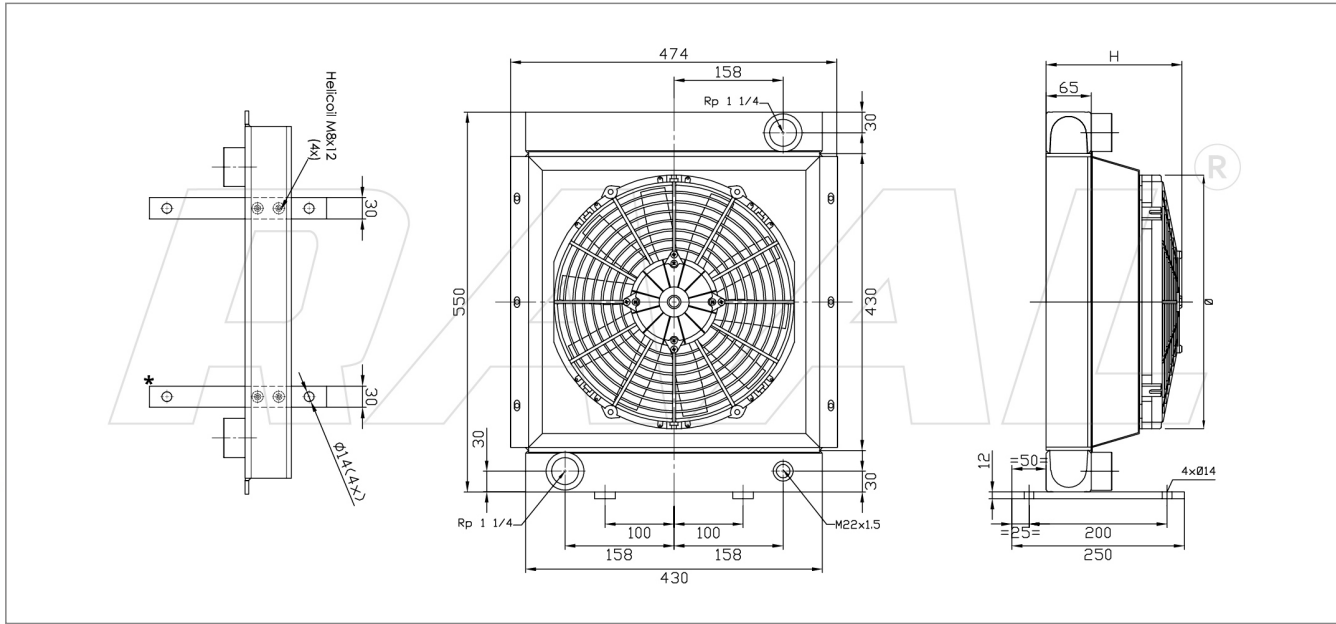


GRV 350S

Oil Coolers GRV Series



[*] Removable feet

Gamma Oil Coolers

| Product Code | Type of Setting | Overall H | Fan diameter | Fan Power m3/h | M.R. dm3 | Power Consumpt. |
|--------------|-----------------------------------|-----------|--------------|----------------|----------|-----------------|
| RU0105680000 | UNCOVERED | 65 | - | - | 12,02 | - |
| RU0105680011 | 12V Suct. | 230 | 305 | 1839 | 12,02 | 16,5 A |
| RU0105680012 | 12V Blow. | 230 | 305 | 1736 | 12,02 | 14,9 A |
| RU0105680021 | 24V Suct. | 230 | 305 | 2161 | 12,02 | 10,3 A |
| RU0105680022 | 24V Blow. | 230 | 305 | 2050 | 12,02 | 9,1 A |
| RU0105680031 | 230V-50/60Hz Suct. | 190 | 300 | 3745 | 12,02 | 1,55 A |
| RU0105680032 | 230V-50/60Hz Blow. | 190 | 300 | 3745 | 12,02 | 1,55 A |
| RU0105680041 | 230/400V-50/60Hz 3FN Suct. | 190 | 300 | 3350 | 12,02 | 0,48 A |
| RU0105680042 | 230/400V-50/60Hz 3FN Blow. | 190 | 300 | 3350 | 12,02 | 0,48 A |
| RU0105680051 | Pred. Hydraulic. Suct. (Supp. G2) | 245 | 300 | 3080 | 12,02 | 0,41 kW |
| RU0105680052 | Pred. Hydraulic. Blow. (Supp. G2) | 245 | 300 | 3080 | 12,02 | 0,41 kW |

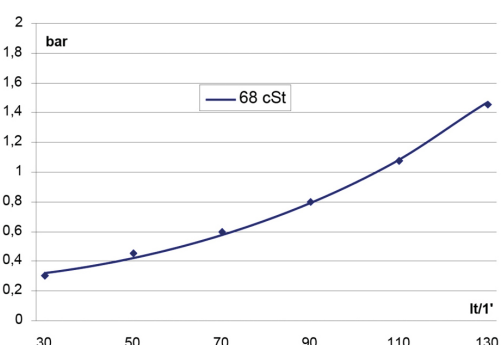
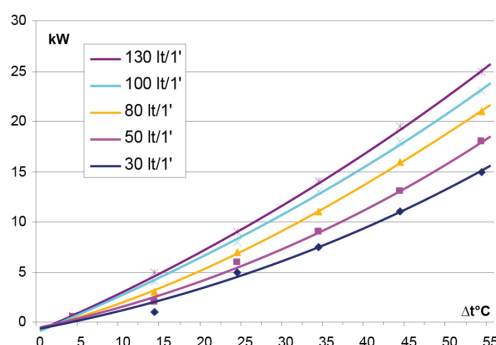
Technical Specification

Minimum Range

Kw 15 : 30 lt

Maximum Range

Kw 25 : 130 lt



The overall dimensions and the technical characteristics are to be considered indicative, dealing with standard products in constant evolution.

