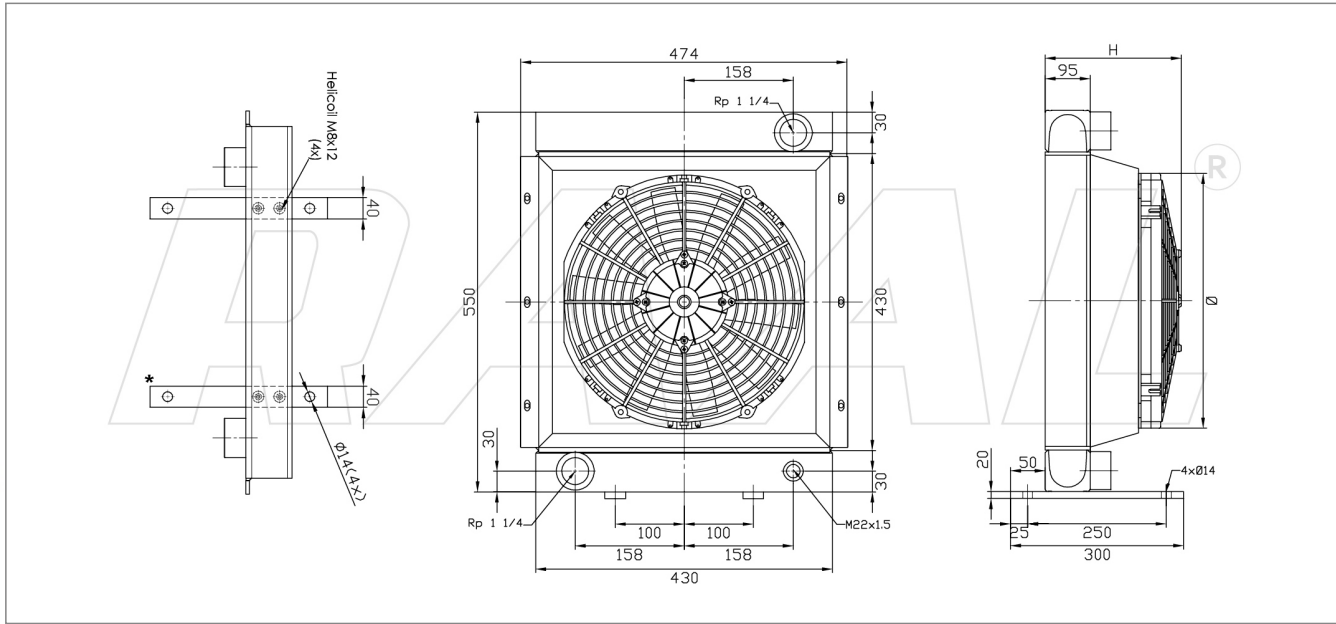


GRV 600S

Oil Coolers GRV Series



[*] Removable feet

Gamma Oil Coolers

Product Code	Type of Setting	Overall H	Fan diameter	Fan Power m3/h	M.R. dm3	Power Consumpt.
RU0105690000	UNCOVERED	95	-	-	17,57	-
RU0105690011	12V Suct.	260	305	1839	17,57	16,5 A
RU0105690012	12V Blow.	260	305	1736	17,57	14,9 A
RU0105690021	24V Suct.	260	305	2161	17,57	10,3 A
RU0105690022	24V Blow.	260	305	2050	17,57	9,1 A
RU0105690031	230V-50/60Hz Suct.	220	300	3745	17,57	1,55 A
RU0105690032	230V-50/60Hz Blow.	220	300	3745	17,57	1,55 A
RU0105690041	230/400V-50/60Hz 3FN Suct.	220	300	3350	17,57	0,48 A
RU0105690042	230/400V-50/60Hz 3FN Blow.	220	300	3350	17,57	0,48 A
RU0105690051	Pred. Hydraulic. Suct. (Supp. G2)	275	300	3080	17,57	0,41 kW
RU0105690052	Pred. Hydraulic. Blow. (Supp. G2)	275	300	3080	17,57	0,41 kW

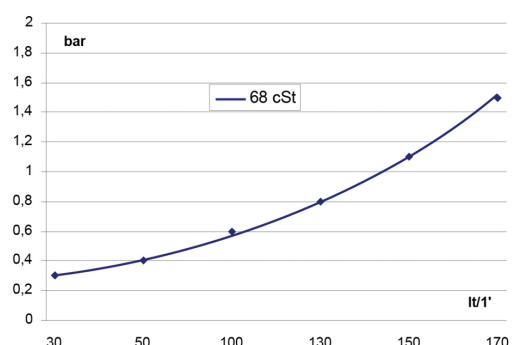
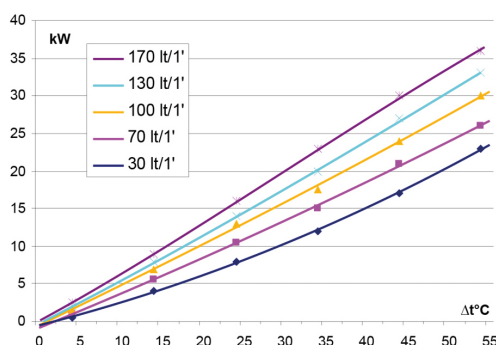
Technical Specification

Minimum Range

Kw 24 : 30 lt

Maximum Range

Kw 36 : 170 lt



The overall dimensions and the technical characteristics are to be considered indicative, dealing with standard products in constant evolution.

