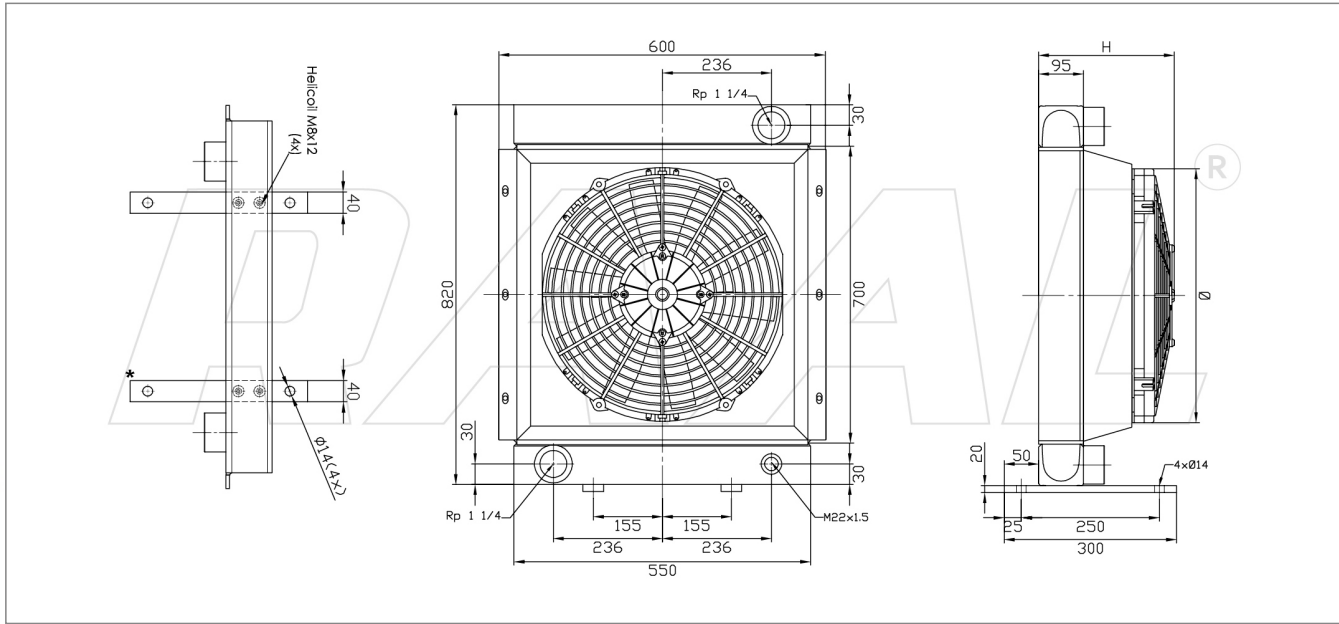


# GRV 1100S

## Oil Coolers GRV Series



[\*] Removable feet

### Gamma Oil Coolers

Product Code	Type of Setting	Overall H	Fan diameter	Fan Power m3/h	M.R. dm3	Power Consumpt.
RU0105710000	UNCOVERED	95	-	-	36,58	-
RU0105710211	12V Suct.	290	2 x 305	3678	36,58	33,0 A
RU0105710212	12V Blow.	290	2 x 305	3472	36,58	29,8 A
RU0105710221	24V Suct.	290	2 x 305	4322	36,58	20,6 A
RU0105710222	24V Blow.	290	2 x 305	4100	36,58	18,2 A
RU0105710031/32	230V-50/60Hz Suct./Blow.	310	500	9850	36,58	3,88 A
RU0105710231/32	230V-50/60Hz Suct./Blow.	255	2 x 300	7490	36,58	3,1 A
RU0105710041/42	230/400V-50/60Hz 3FN Suct./Blow.	310	500	9195	36,58	1,41 A
RU0105710241/42	230/400V-50/60Hz 3FN Suct./Blow.	255	2 x 300	6700	36,58	0,96 A
RU0105710051	Pred. Hydraulic. Suct. (Supp. G2)	305	500	13300	36,58	4,1 kW
RU0105710052	Pred. Hydraulic. Blow. (Supp. G2)	305	500	13300	36,58	4,1 kW

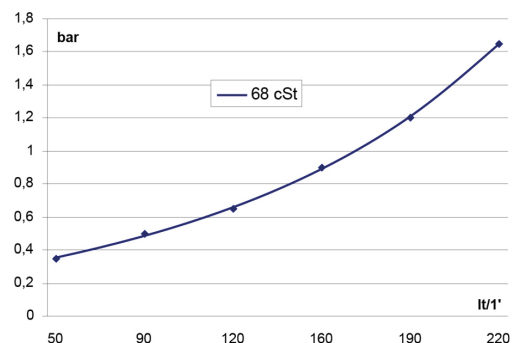
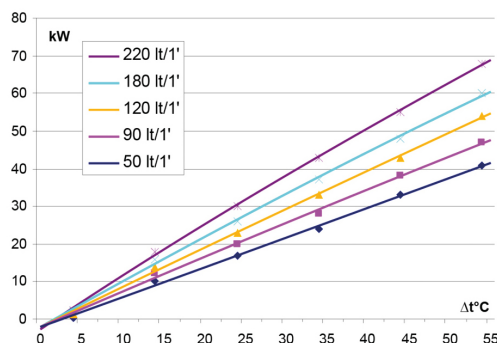
### Technical Specification

Minimum Range

Kw 41 : 50 lt

Maximum Range

Kw 65 : 220 lt



The overall dimensions and the technical characteristics are to be considered indicative, dealing with standard products in constant evolution.

