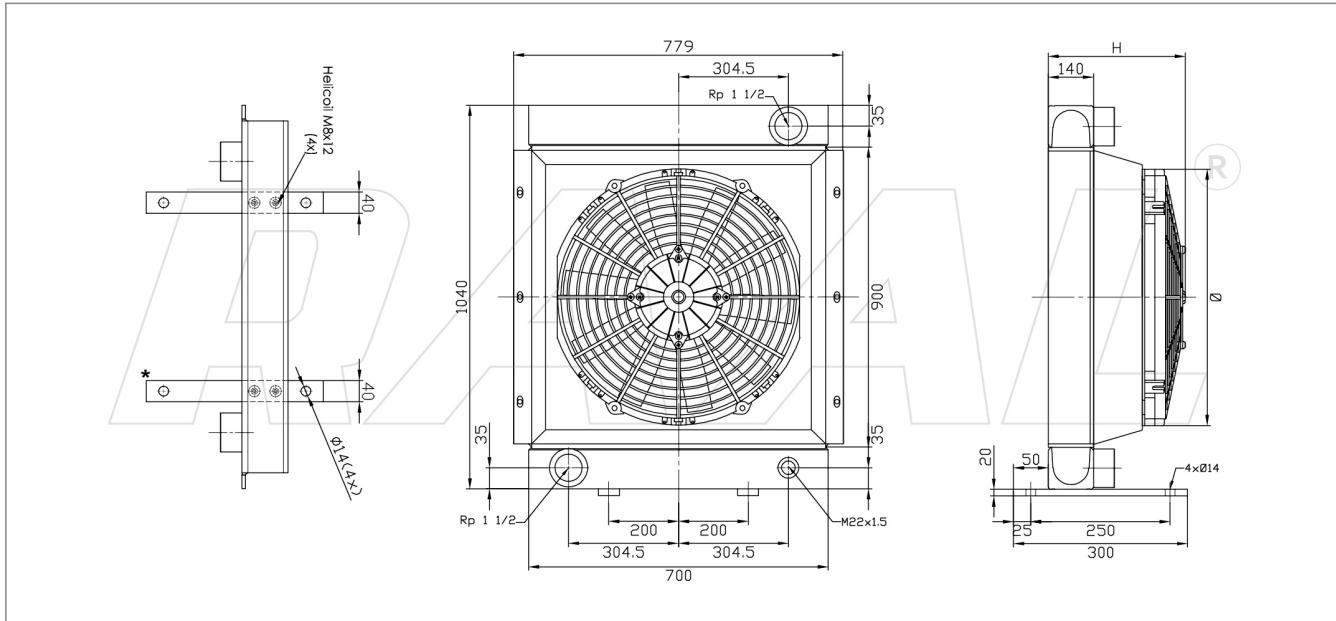


GRV 3000S

Oil Coolers GRV Series



[*] Removable feet

Gamma Oil Coolers

Product Code	Type of Setting	Overall H	Fan diameter	Fan Power m3/h	M.R. dm3	Power Consumpt.
RU0105740000	UNCOVERED	140	-	-	88,20	-
RU0105740411	12V Suct.	335	4 x 305	7356	88,20	66,0 A
RU0105740412	12V Blow.	335	4 x 305	6944	88,20	59,6 A
RU0105740421	24V Suct.	335	4 x 305	8644	88,20	41,2 A
RU0105740422	24V Blow.	335	4 x 305	8200	88,20	36,4 A
RU0105740031/32	230V-50/60Hz Suct./Blow.	365	630	11025	88,20	2,62 A
RU0105740431/32	230V-50/60Hz Suct./Blow.	295	4 x 300	14980	88,20	6,2 A
RU0105740041/42	230/400V-50/60Hz 3FN Suct./Blow.	365	630	11270	88,20	1,2 A
RU0105740441/42	230/400V-50/60Hz 3FN Suct./Blow.	295	4 x 300	13400	88,20	1,92 A
RU0105740051	Pred. Hydraulic. Suct. (Supp. G2)	370	630	23600	88,20	7,4 kW
RU0105740052	Pred. Hydraulic. Blow. (Supp. G2)	370	630	23600	88,20	7,4 kW

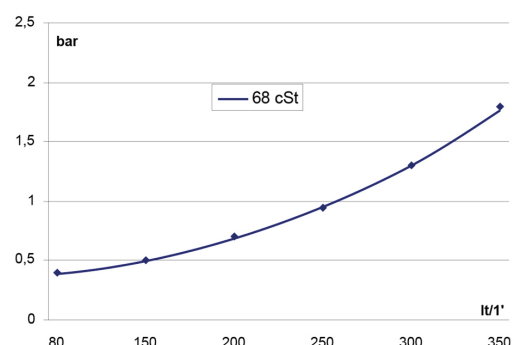
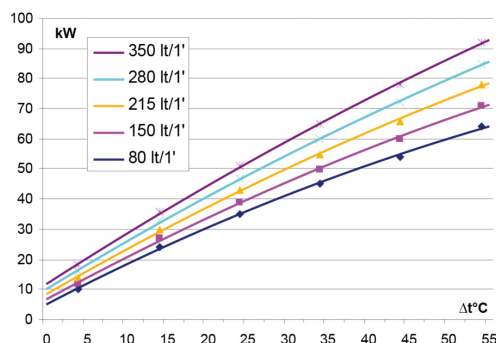
Technical Specification

Minimum Range

Kw 65 : 80 lt

Maximum Range

Kw 92 : 350 lt



The overall dimensions and the technical characteristics are to be considered indicative, dealing with standard products in constant evolution.

