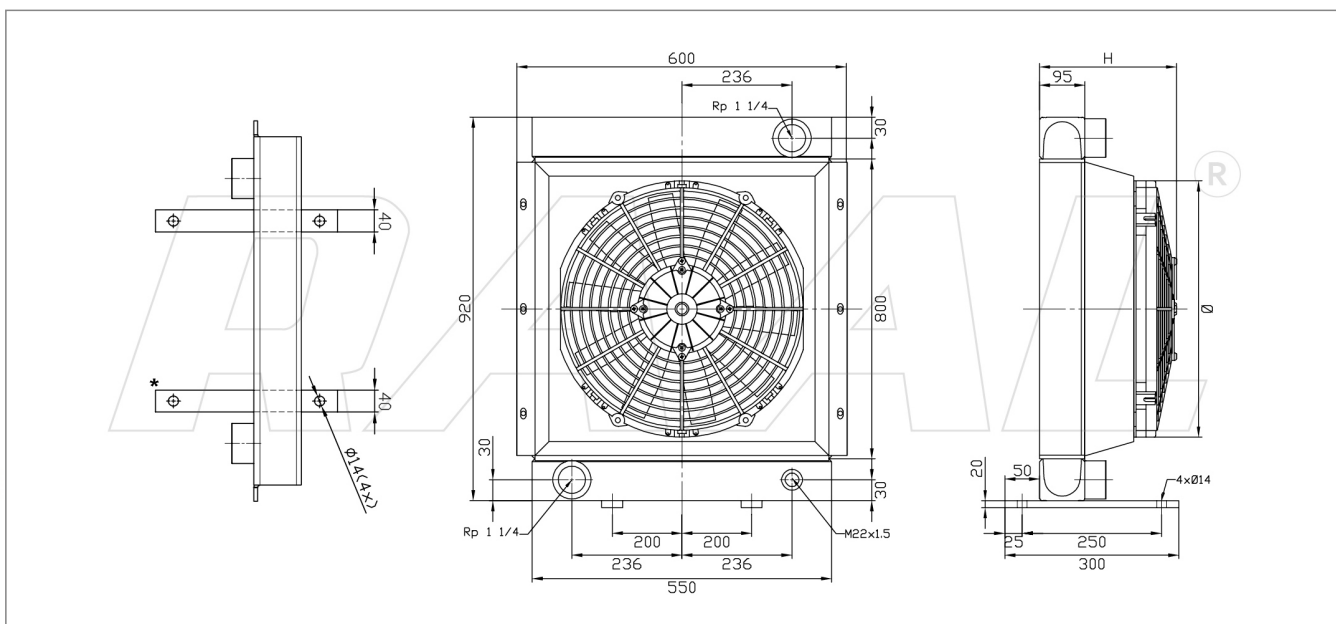


Oil Coolers  
T Series



[\*] Not removable feet

Gamma Oil Coolers

Product Code	Type of Setting	Overall H	Fan diameter	Fan Power m3/h	M.R. dm3	Power Consumpt.
RUT105730000	UNCOVERED	95	-	-	41,25	-
RUT105730211	12V Suct.	290	2 x 305	3678	41,25	33,0 A
RUT105730212	12V Blow.	290	2 x 305	3472	41,25	29,8 A
RUT105730221	24V Suct.	290	2 x 305	4322	41,25	20,6 A
RUT105730222	24V Blow.	290	2 x 305	4100	41,25	18,2 A
RUT105730031/32	230V-50/60Hz Suct./Blow.	310	500	9850	41,25	3,88 A
RUT105730231/32	230V-50/60Hz Suct./Blow.	255	2 x 300	6820	41,25	3,1 A
RUT105730041/42	230/400V-50/60Hz 3FN Suct./Blow.	310	500	9195	41,25	1,41 A
RUT105730241/42	230/400V-50/60Hz 3FN Suct./Blow.	255	2 x 300	6700	41,25	0,96 A
RUT105730051	Pred. Hydraulic. Suct. (Supp. G2)	305	500	13300	41,25	4,1 kW
RUT105730052	Pred. Hydraulic. Blow. (Supp. G2)	305	500	13300	41,25	4,1 kW

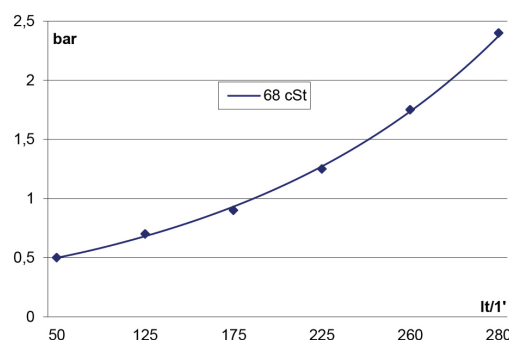
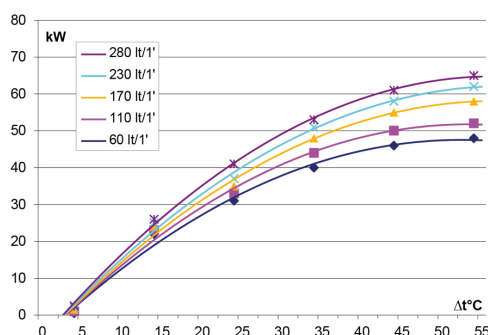
Technical Specification

Minimum Range

Kw 48 : 60 lt

Maximum Range

Kw 62 : 280 lt



The overall dimensions and the technical characteristics are to be considered indicative, dealing with standard products in constant evolution.

