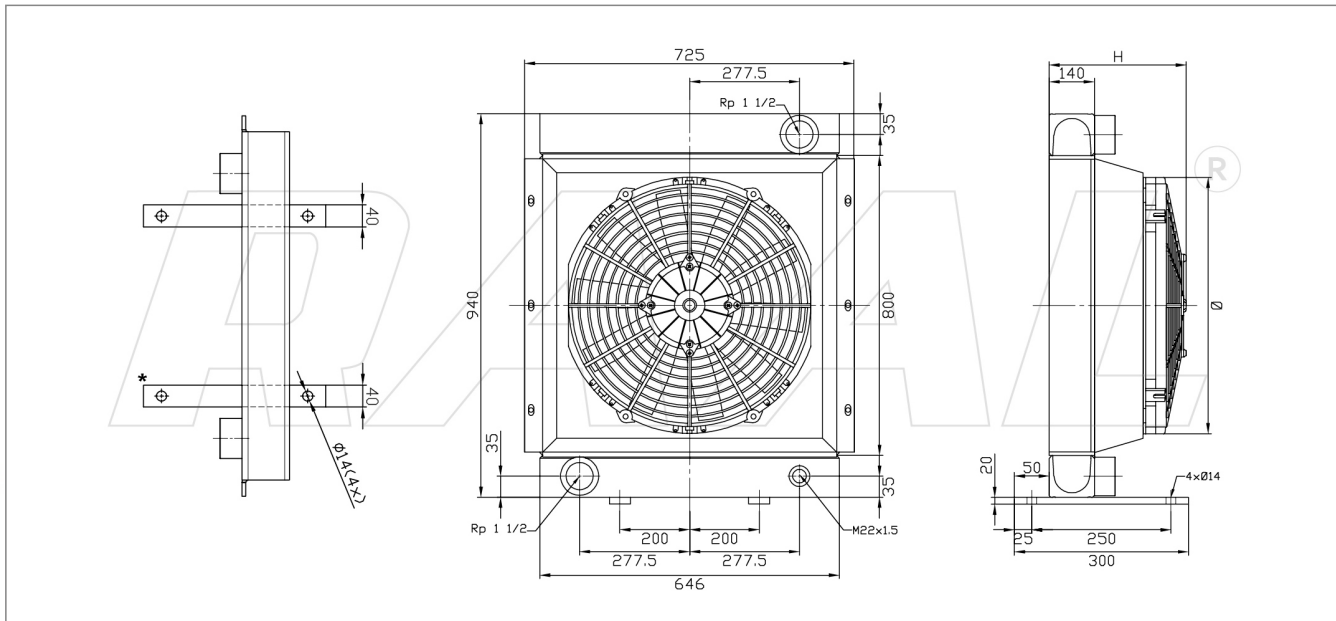


Oil Coolers T Series



[*] Not removable feet

Gamma Oil Coolers

| Product Code | Type of Setting | Overall H | Fan diameter | Fan Power m3/h | M.R. dm3 | Power Consumpt. |
|-----------------|-----------------------------------|-----------|--------------|----------------|----------|-----------------|
| RUT105740000 | UNCOVERED | 140 | - | - | 59,85 | - |
| RUT105740411 | 12V Suct. | 335 | 4 x 305 | 7356 | 59,85 | 66,0 A |
| RUT105740412 | 12V Blow. | 335 | 4 x 305 | 6944 | 59,85 | 59,6 A |
| RUT105740421 | 24V Suct. | 335 | 4x305 | 8644 | 59,85 | 41,2 A |
| RUT105740422 | 24V Blow. | 335 | 4 x 305 | 8200 | 59,85 | 36,4 A |
| RUT105740031/32 | 230V-50/60Hz Suct./Blow. | 365 | 630 | 18000 | 59,85 | 3,5 A |
| RUT105740431/32 | 230V-50/60Hz Suct./Blow. | 295 | 4 x 300 | 14980 | 59,85 | 6,2 A |
| RUT105740041/42 | 230/400V-50/60Hz 3FN Suct./Blow. | 365 | 630 | 19000 | 59,85 | 1,29 A |
| RUT105740441/42 | 230/400V-50/60Hz 3FN Suct./Blow. | 295 | 4 x 300 | 13400 | 59,85 | 1,92 A |
| RUT105740051 | Pred. Hydraulic. Suct. (Supp. G2) | 370 | 630 | 23600 | 59,85 | 7,4 kW |
| RUT105740052 | Pred. Hydraulic. Blow. (Supp. G2) | 370 | 630 | 23600 | 59,85 | 7,4 kW |

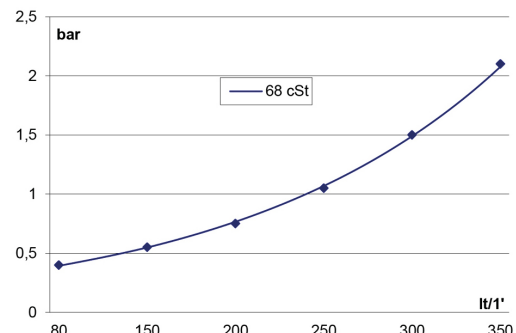
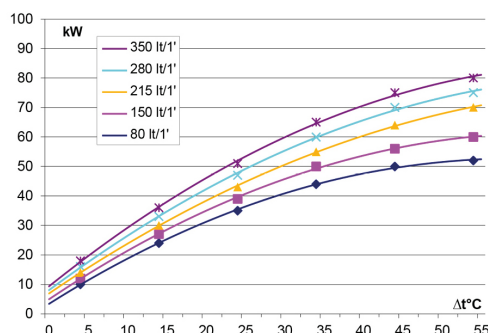
Technical Specification

Minimum Range

Kw 52 : 80 lt

Maximum Range

Kw 80 : 350 lt



The overall dimensions and the technical characteristics are to be considered indicative, dealing with standard products in constant evolution.

