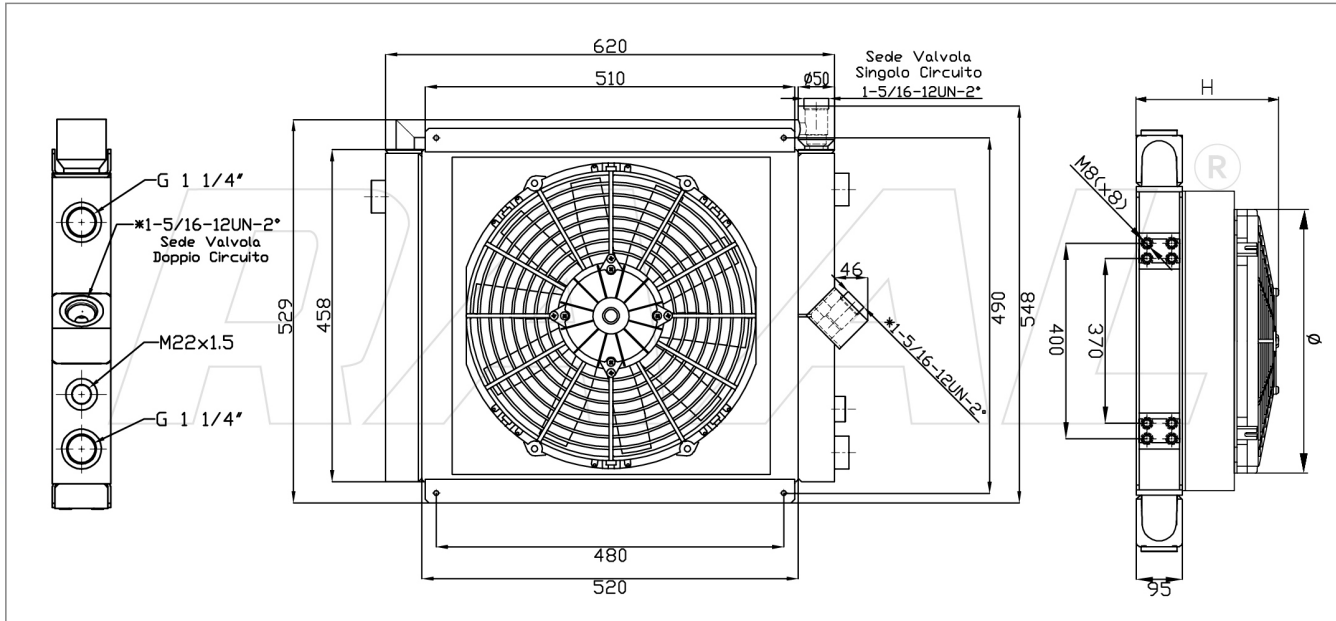


By-Pass GRS/D 500



[*] SINGLE CIRCUIT version: the cooler is delivered only with SINGLE CIRCUIT configuration. The DOUBLE CIRCUIT only at specific request of the customer.

Gamma Oil Coolers

Product Code	Type of Setting	Overall H	Fan diameter	Fan Power m3/h	M.R. dm3	Power Consumpt.
RU021919B000	UNCOVERED	95	-	-	22,48	-
RU021919B011	12V Suct.	260	385	2212	22,48	16,0 A
RU021919B012	12V Blow.	260	385	2412	22,48	16,2 A
RU021919B021	24V Suct.	260	385	2577	22,48	9,3 A
RU021919B022	24V Blow.	260	385	2609	22,48	9,0 A
RU021919B031 [*]	230V-50/60Hz Suct.	260	400	4950	22,48	1,06 A
RU021919B032 [*]	230V-50/60Hz Blow.	260	400	4950	22,48	1,06 A
RU021919B041	230/400V-50/60Hz 3FN Suct.	260	400	4615	22,48	0,39 A
RU021919B042	230/400V-50/60Hz 3FN Blow.	260	400	4615	22,48	0,39 A
RU021919B051	Pred. Hydraulic. Suct. (Supp. G2)	280	400	7050	22,48	1,5 kW
RU021919B052	Pred. Hydraulic. Blow. (Supp. G2)	280	400	7050	22,48	1,5 kW

[*] In SINGLE PHASE models (*31/*32), ADJUSTABLE THERMOSTAT 0-90° on request.

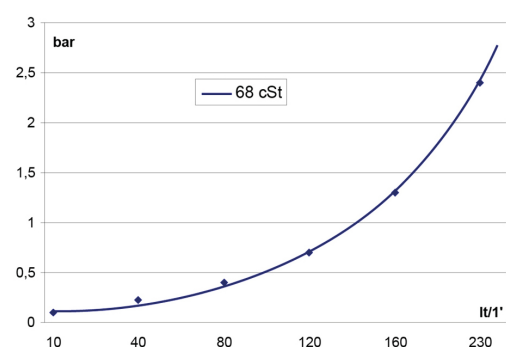
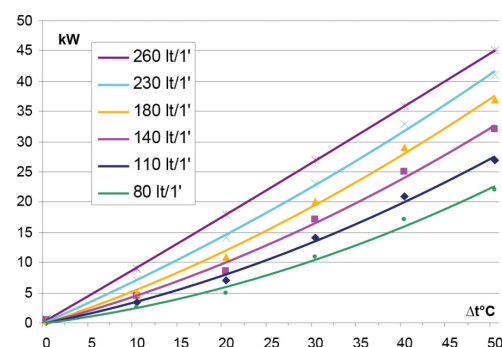
Technical Specification

Minimum Range

Maximum Range

Kw 22 : 80 lt

Kw 45 : 260 lt



The overall dimensions and the technical characteristics are to be considered indicative, dealing with standard products in constant evolution.

