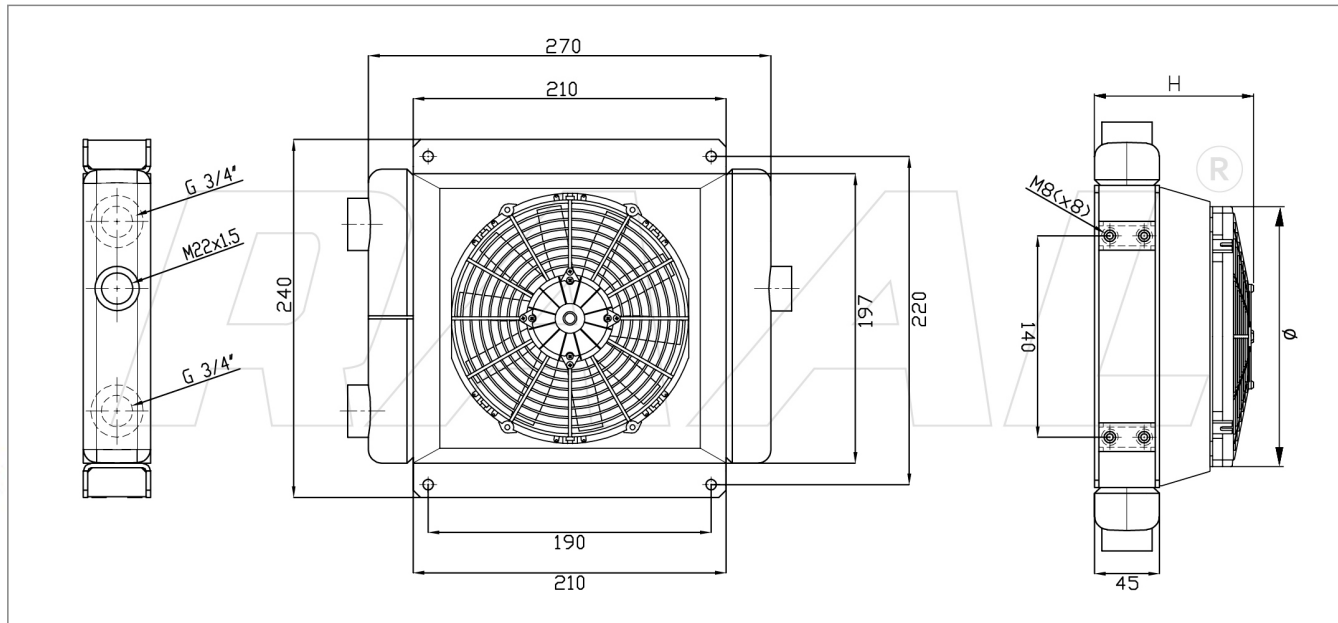


# VTD 50

## Oil Coolers VT Series



### Gamma Oil Coolers

Product Code	Type of Setting	Overall H	Fan diameter	Fan Power m3/h	M.R. dm3	Power Consumpt.
RUV100620000	UNCOVERED	45	-	-	1,91	-
RUV100620011	12V Suct.	140	190	446	1,91	6,4 A
RUV100620012	12V Blow.	140	190	497	1,91	6,4 A
RUV100620021	24V Suct.	140	190	419	1,91	2,8 A
RUV100620022	24V Blow.	140	190	505	1,91	3,3 A
RUV100620031	230V-50/60Hz Suct.	135	200	1025	1,91	0,34 A
RUV100620032	230V-50/60Hz Blow.	135	200	1025	1,91	0,13 A
RUV100620041	230/400V-50/60Hz 3FN Suct.	135	200	1020	1,91	0,13 A
RUV100620042	230/400V-50/60Hz 3FN Blow.	135	200	1020	1,91	0,30 A
RUV100620051	Pred. Hydraulic. Suct. (Supp. G2)	185	195	958	1,91	0,7 kW
RUV100620052	Pred. Hydraulic. Blow. (Supp. G2)	185	195	958	1,91	0,7 kW

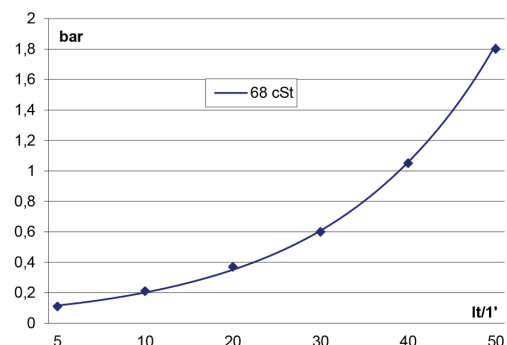
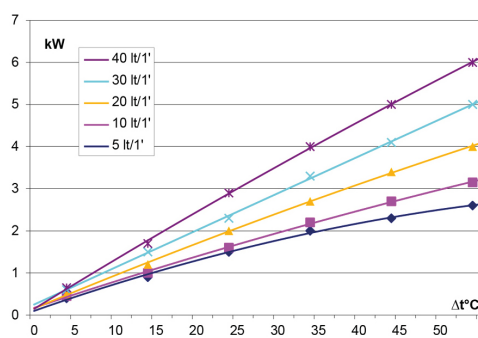
### Technical Specification

Minimum Range

Kw 2,6 : 5 lt

Maximum Range

Kw 6 : 40 lt



The overall dimensions and the technical characteristics are to be considered indicative, dealing with standard products in constant evolution.

