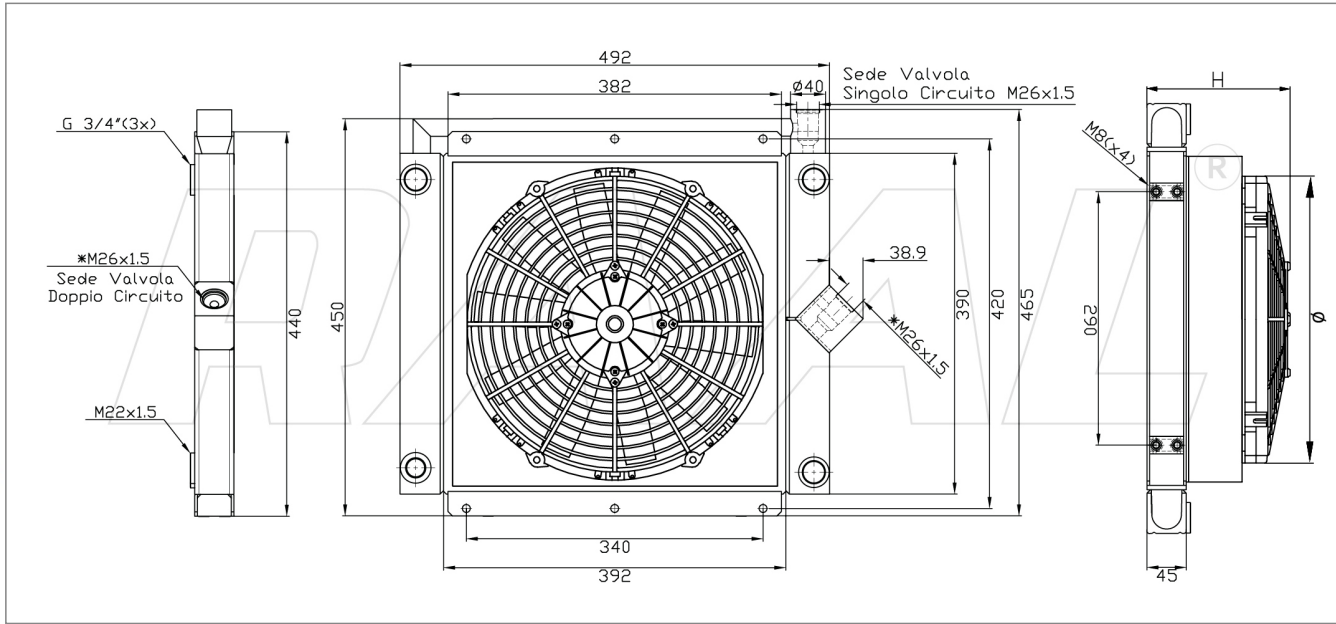


By-Pass GRS/D 130

Oil Coolers By-Pass Series



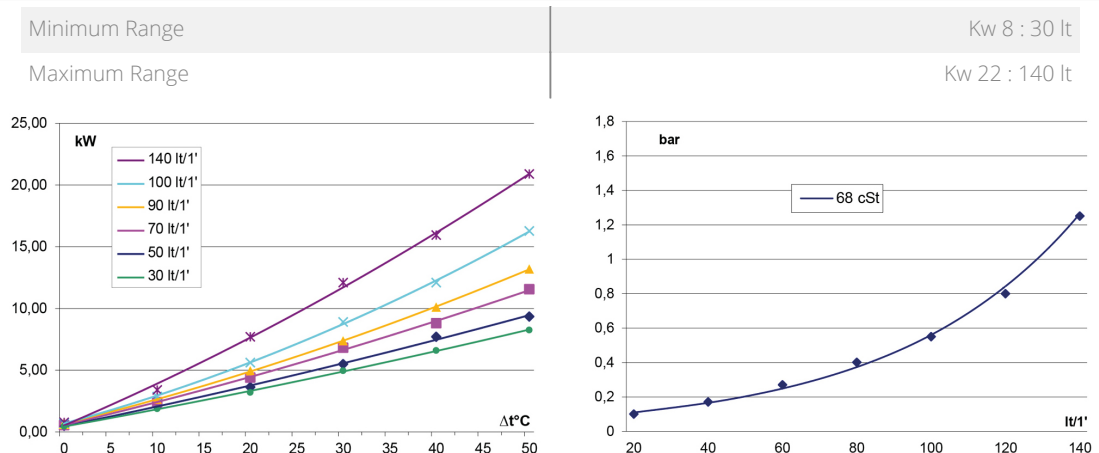
[*] SINGLE CIRCUIT version: the cooler is delivered only with SINGLE CIRCUIT configuration. The DOUBLE CIRCUIT only at specific request of the customer.

Gamma Oil Coolers

Product Code	Type of Setting	Overall H	Fan diameter	Fan Power m3/h	M.R. dm3	Power Consumpt.
RU034596B000	UNCOVERED	45	-	-	6,90	-
RU034596B011	12V Suct.	210	305	1839	6,90	16,5 A
RU034596B012	12V Blow.	210	305	1736	6,90	14,9 A
RU034596B021	24V Suct.	210	305	2161	6,90	10,3 A
RU034596B022	24V Blow.	210	305	2050	6,90	9,1 A
RU034596B031 [*]	230V-50/60Hz Suct.	175	300	3745	6,90	1,55 A
RU034596B032 [*]	230V-50/60Hz Blow.	175	300	3745	6,90	1,55 A
RU034596B041	230/400V-50/60Hz 3FN Suct.	175	300	3350	6,90	0,48 A
RU034596B042	230/400V-50/60Hz 3FN Blow.	175	300	3350	6,90	0,48 A
RU034596B051	Pred. Hydraulic. Suct. (Supp. G2)	225	300	3080	6,90	0,41 kW
RU034596B052	Pred. Hydraulic. Blow. (Supp. G2)	225	300	3080	6,90	0,41 kW

[*]

Technical Specification



The overall dimensions and the technical characteristics are to be considered indicative, dealing with standard products in constant evolution.

